

DEKBOARD[®]
— — — — —
decking and balustrade systems



THE RANGE GUIDE
it's great outdoors

www.dekboard.co.uk

DEKBOARD

A BEAUTIFUL DECKING AND BALUSTRADE SYSTEM, SPECIALLY DESIGNED TO REPLACE AND OUT PERFORM TRADITIONAL TIMBER DECKING

DekBoard is made to look and feel like high quality timber and do that without the need for the time consuming and costly maintenance that timber always needs.

DekBoard gives you a secure foothold in the wet or dry. It doesn't encourage the growth of slippery lichen and it is so easy to clean.

With DekBoard you can create a safe, secure and long-lasting outdoor space for rest, play and getting together.

It's a decking and balustrade system that will increase the usable area around your home, where you can set up patio furniture, or a small forest of pot plants, or sunbathe, or throw a party; or where you just take off your boots before going indoors.

CONTENTS:

Arena Decking	4 - 5
Promenade Decking	6 - 7
Horizon Balustrade	8 - 15
Post	8 - 9
Handrails	10 - 11
Pickets	12
Brackets	13
Glass	14
Gates	15

All instructions and suggestions in this document are given for guidance only and the installer should satisfy themselves that their planned deck will be safe given their individual circumstances and requirements.

THE DEKBOARD SYSTEM

Sub-frame
Bracket

Decking Sub-frame
(see page p3)

Glass Panel

Glass Fixing
Bracket

6" Picket for Skirting





Post Cap

Brackets

Top Rail

Post

Picket

Gate

Bottom Rail

Installation

- Always use treated timber to maximise the life of the sub-frame.
- Bearers should be C16 grade timber of a nominal size 2" x 6" (50mm x 150mm). The notes below apply to this specification.
- Generally bearers run with the line of most traffic so that the decking boards run across the line. This must be observed with ramps, walkways and steps.
- Do not exceed maximum centres between bearers of 450mm for normal domestic loads.
- A support leg should be installed at maximum every 2.4m along the bearer. Never exceed a 3m unsupported span.
- Install a minimum of one line of noggins across the centre of every span up to 2.5m. Larger spans should have noggins every 1200mm (max). Inserting more lines of noggins creates greater rigidity and strength.
- Always offset joints between longer lengths of decking by at least 2 bearers (900mm).
- Always ensure adequate through ventilation beneath the deck, especially when using darker deck colours.



ARENA DECKING

A great range of practical PVC decking boards with a traditional woodgrain pattern.



PROMENADE DECKING

The ultimate combination of PVC toughness with the beauty of a WPC (wood plastic composite) finish.



HORIZON BALUSTRADE

A traditional balustrade system that will complement Promenade or Arena decks.



ARENA

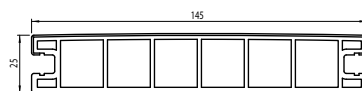
A GREAT RANGE OF VERY PRACTICAL PVC DECKING BOARDS WITH A TRADITIONAL WOODGRAIN EFFECT PATTERN.

DekBoard Arena boards are practical, tough and durable. If you want a decking area that can take on all comers, then Arena is a great choice.

These boards are durable enough for kids to play on during the day and tough enough for adults to party on at night.

The board's satin finish is embossed for good slip resistance and the surface is easy to clean, whether it's kids or adults you're clearing up after.

Arena has a great range of contemporary and neutral colours that go well with most settings and complement the Horizon balustrade range.



Maple



Birchwood



Beech



Luna Grey



Anthracite Grey

Code	Colour	Length (m)
DDBP4902MA	Maple	4.902
DDBP4902BW	Birchwood	4.902
DDBP4902BE	Beech	4.902
DDBP4902LN [†]	Luna Grey	4.902
DDBP4902AG [†]	Anthracite Grey	4.902

Deck Clip



Use Wood Screw Countersunk (DWSCREW30) P9

Code	Size	Pack
DCLIP50	40mm x 33mm	Bag 50
DCLIP250	40mm x 33mm	Box 250

Infill Trim

This trim clips neatly into the exposed edge of the outer board and can be used along the appropriate edge of the deck or along the front edge of a step.

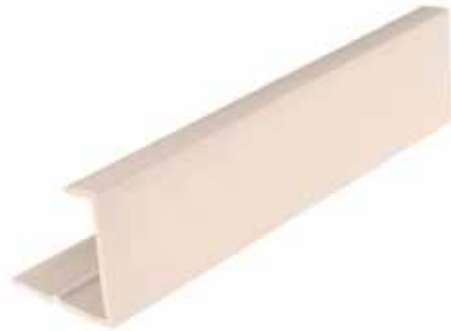
Code	Colour	Length (m)
DINFILL3000MA	Maple	3.0
DINFILL3000BW	Birchwood	3.0
DINFILL3000BE	Beech	3.0
DINFILL3000LN [†]	Luna Grey	3.0
DINFILL3000AG [†]	Anthracite Grey	3.0



Edge Trim

Can be used as a starter trim - where a deck clip cannot be inserted to hold the leading edge of the first board - or simply to cover the exposed ends of boards around the edge of the deck.

Code	Colour	Length (m)
DEEDGE4902MA	Maple	4.902
DEEDGE4902BW	Birchwood	4.902
DEEDGE4902BE	Beech	4.902
DEEDGE4902LN [†]	Luna Grey	4.902
DEEDGE4902AG [†]	Anthracite Grey	4.902



Joint Trim

Ideal for hiding exposed board ends at points where the deck changes direction. Do not use for jointing long runs of decking.

Code	Colour	Length (m)
DJOINT4902MA	Maple	4.902
DJOINT4902BW	Birchwood	4.902
DJOINT4902BE	Beech	4.902



PROMENADE

A GREAT COMBINATION OF PVC TOUGHNESS WITH THE BEAUTY OF A WPC WOOD PLASTIC COMPOSITE FINISH

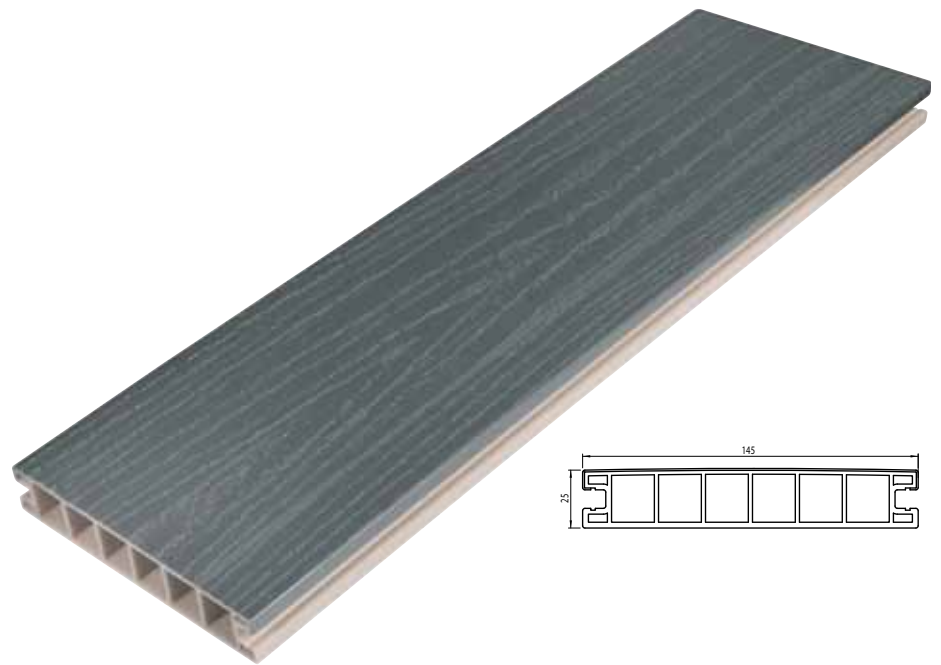
WPC is a composite material, half of which is composed of PVC and half of timber sawdust that is ethically sourced. This material feels comfortable to the touch, an effect that is enhanced by the timber grain that we emboss into our Promenade boards.

This smooth feel makes Promenade great for children to play on in the knowledge that they won't get splinters or scratch themselves.

Because WPC contains timber the colour will fade predictably in the first few weeks to a great looking natural Finish – but that's where the similarities with timber end.

Unlike timber your deck won't encourage the growth of unsightly lichen that is so hard to remove and is so dangerous on wooden decks.

The grain effect on our boards will provide good grip at all times, so the deck will always be a safe place to stand or walk come rain or shine.



English Oak



Slate



Mocha



Verde

Code	Colour	Length (m)
DDBW3000EO	English Oak	3.0
DDBW3000SL	Slate	3.0
DDBW3000MO	Mocha	3.0
DDBW3000VE†	Verde	3.0
DDBW6122EO	English Oak	6.122
DDBW6122SL	Slate	6.122
DDBW6122MO	Mocha	6.122
DDBW6122VE†	Verde	6.122

Deck Clip



Use Wood Screw Countersunk (DWSCREW30) P9

Code	Size	Pack
DCLIP50	40mm x 33mm	Bag 50
DCLIP250	40mm x 33mm	Box 250

Infill Trim

Code	Colour	Length (m)
DINFILL3000EO	English Oak	3.0
DINFILL3000SL	Slate	3.0
DINFILL3000MO	Mocha	3.0
DINFILL3000VE [†]	Verde	3.0



Edge Trim

Code	Colour	Length (m)
DEEDGE6000EO	English Oak	6.0
DEEDGE6000SL	Slate	6.0
DEEDGE6000MO	Mocha	6.0
DEEDGE6000VE [†]	Verde	6.0



GENERAL ACCESSORIES

U-Channel (29mm x 29mm x 29mm)

Code	Colour	Length (m)
DCHAN4876W	White	4.876
DCHAN4876AL	Almond	4.876
DCHAN4876__	Foiled*	4.876



Fixed Angle (40mm x 40mm)

Code	Colour	Length (m)
DFANG6000W	White	6.0
DFANG6000AL	Almond	6.0
DFANG6000__	Foiled*	6.0



*Golden Oak (GO)



*Anthracite Grey (AG)

HORIZON

A TRADITIONAL BALUSTRADE SYSTEM THAT WILL COMPLEMENT PROMENADE OR ARENA DECKS.

It is important to have a balustrade in order to keep children safe and avoid falls in general.

DekBoard Horizon balustrades can be made up in a number of ways using traditional top and bottom rails with pickets in square or diamond format, or with glass panels instead.

The hand rail and bottom rails are reinforced with a metal insert that makes them very rigid and therefore able to take a lot of pressure from the side or above.

Glass panels are becoming popular and the Horizon range provides for clear and tinted toughened glass versions which can be mounted to your deck in a number of ways.

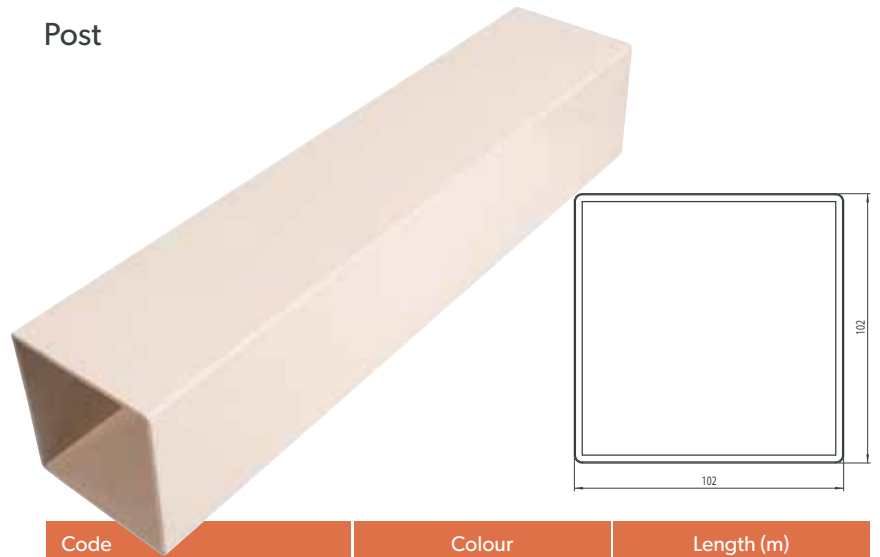
Please consult the section on balustrade height to determine the right height for your installation.

Please note: Forest Green is a made to order colour

POSTS

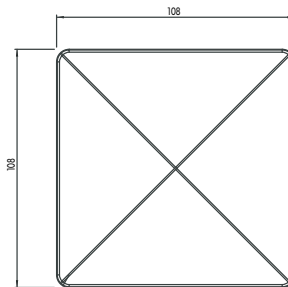
- Always use a timber infill for posts of at least 95 x 95mm. Post infills may also be made up of 2 x 47mm x 95mm sections screwed together.
- Where the post is to be secured into a concrete or substantial timber base a post insert (DPOSTM) may be used (p9)
- Timber post infills should be set into concrete or mounted on to well set and well drained concrete or stone pads.
- Always treat the exposed end grain of such posts for long term protection.
- Remember to slide the post cover over the timber post infills prior to fixing the deck sub-frame to the posts.
- Bearers may be screwed directly to posts or affixed using a Sub-Frame Bracket (p9)

Post



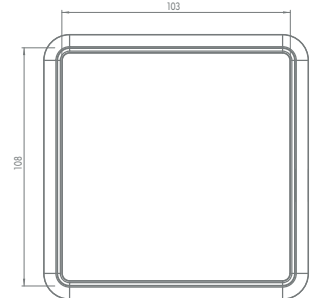
Code	Colour	Length (m)
DPOST1828W	White	1.828
DPOST1828AL	Almond	1.828
DPOST4876W	White	4.876
DPOST4876AL	Almond	4.876
DPOST4876__	Foiled*	4.876
DPOST4876FG [†]	Foiled**	4.876

Post Cap



Code	Colour
DPOSTCW	White
DPOSTCAL	Almond
DPOSTC__	Foiled*
DPOSTCFG [†]	Foiled**

Post Skirt



Code	Colour
DPOSTSW	White
DPOSTSAL	Almond
DPOSTS__	Foiled*



*Golden Oak (GO)

*Anthracite Grey (AG)

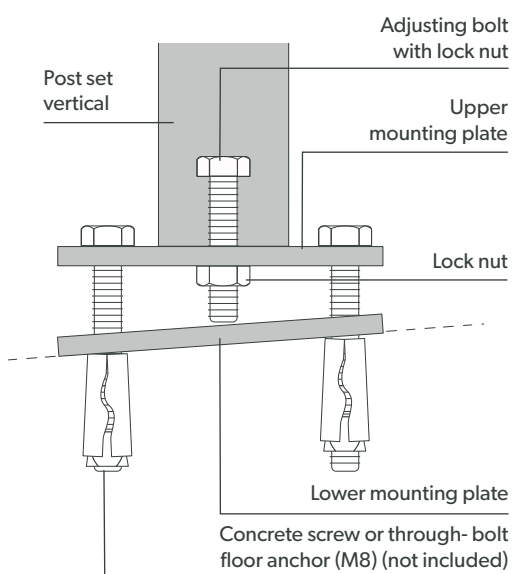
**Forest Green (FG)

Post Mount

Mark the location of the corner holes on the lower mounting plate and drill a 10mm hole into the substrate for each of the 4 corners in order to accept a suitable M8 Fixing Anchor or appropriate concrete screws.

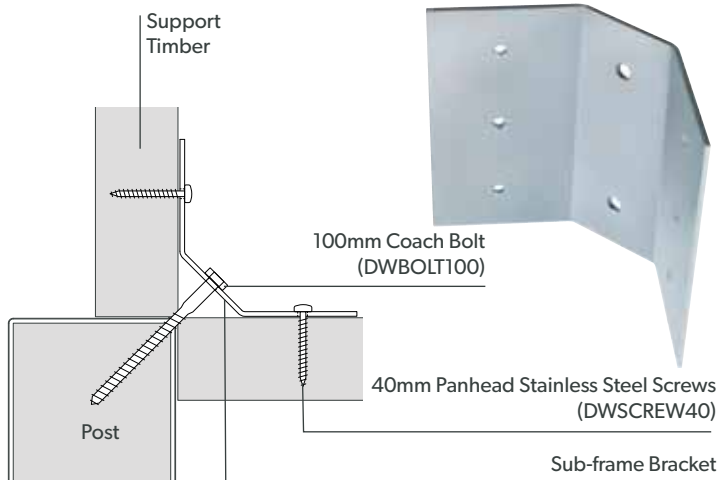
Set up the correct angle for the Post Insert by adjusting the 4 bolts threaded through the upper mounting bracket. Insert the anchors through the corner holes of both plates on the Post mount as shown and press them into the substrate.

Once the final adjustment of the post position has been achieved ensure the anchors are bolted down and the lock nuts on the adjusting bolts are tightened up against the underside of the upper mounting plate.



Sub Frame Bracket

DEKBOARD®
decking and balustrade systems



This bracket is used to secure the open corners of a sub-frame to a corner post.

Code	Size
DSUBBKT	100mm x 300mm

Deck Clip



The deck must be supported by bearers and a deck clip used on each bearer at maximum centres of 450mm. Deck clips should be secured using 4.5mm x 30mm Stainless Steel counter sunk screws (Code - DWSREW30). Where decking boards are not set at 90deg to the bearers the fixing centres of the decking board will naturally increase. This should be accounted for in bearer spacing in that area.

Code	length (m)	£ / Unit
DPOSTM	0.76	49.40

Code	Size	Pack
DCLIP50	40mm x 33mm	Bag 50
DCLIP250	40mm x 33mm	Box 250

Fixings

	Code	Unit	Application	Notes
Coach Bolt (100mm)	DCBOLT	Box 50	Sub Frame Bracket to Post	Galvanised. 13mm head
Wood Screw Countersunk (90mm)	DWSREW90	Box 100	General subframe assembly	Yellow plated- no pilot hole required (60mm of thread)
Wood Screw Countersunk (60mm)	DWSREW60	Box 200	Fascia board to subframe Fix deck from below	Yellow plated- no pilot hole required
Wood Screw Pan Head (40mm)	DWSREW40	Box 100	Sub-frame bracket to frame	Stainless steel
Wood Screw Countersunk (30mm)	DWSREW30	Box 500	Deck Clips Fixed Position Rail Brackets	Stainless Steel

DEKBOARD HORIZON BALUSTRADE SYSTEM

Routing – Top and bottom rails can be supplied in plain or routed format ready to accept the 1.25" picket. The holes can be routed square with the rail or at 45 degrees to the rail to form a diamond shape.

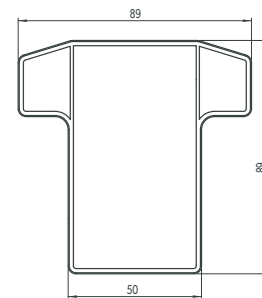
Square - RS



Diamond - RD



Top Rail Plain and Routed



Code Plain	Code Routed Square	Code Routed Diamond	Colour	Length (m)
DTRAIL1220W	DTRAILRS1220W	DTRAILRD1220W	White	1.220
DTRAIL1220AL	DTRAILRS1220AL	DTRAILRD1220AL	Almond	1.220
DTRAIL1220_ _	DTRAILRS1220_ _	DTRAILRD1220_ _	Foiled*	1.220
DTRAIL1828W	DTRAILRS1828W	DTRAILRD1828W	White	1.828
DTRAIL1828AL	DTRAILRS1828AL	DTRAILRD1828AL	Almond	1.828
DTRAIL1828_ _	DTRAILRS1828_ _	DTRAILRD1828_ _	Foiled*	1.828
DTRAIL2438W	DTRAILRS2438W	DTRAILRD2438W	White	2.438
DTRAIL2438AL	DTRAILRS2438AL	DTRAILRD2438AL	Almond	2.438
DTRAIL2438_ _	DTRAILRS2438_ _	DTRAILRD2438_ _	Foiled*	2.438
DTRAIL4876W	-	-	White	4.876
DTRAIL4876AL	-	-	Almond	4.876
DTRAIL4876_ _	-	-	Foiled*	4.876
DTRAIL4876FG [†]	-	-	Foiled**	4.876

HEIGHT OF BALUSTRADES

Balustrades on decks can serve several functions, ranging from simple decorative boundaries to full safety barriers.

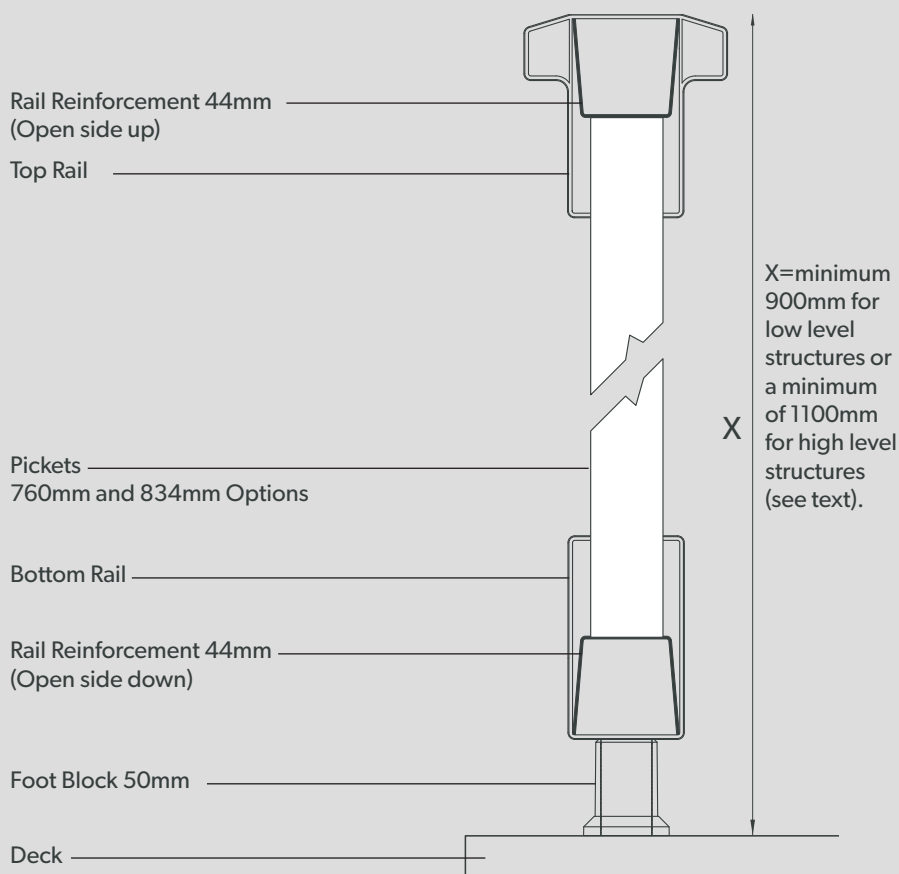
Even a small change of level can be a hazard, particularly for elderly or infirm users. Unless the deck surface is flush with the surrounding ground, a balustrade should be incorporated.

The height of the balustrade depends on how far the deck surface is off the ground:

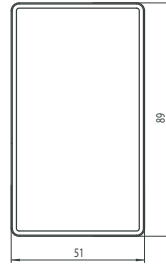
For 'low-level' structures where the deck surface is up to 600mm from ground level, the hand rail height should be a minimum of 900mm above the deck surface.

For 'high-level' decks over 600mm high the balustrade height should be a minimum of 1100mm above the deck surface.

DekBoard standard balustrade components have been designed to meet the requirements for low-level structures. For high level structures the picket height should be increased to at least 960mm.



Bottom Rail Plain and Routed



*Golden Oak (GO)



*Anthracite Grey (AG)



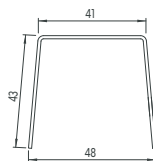
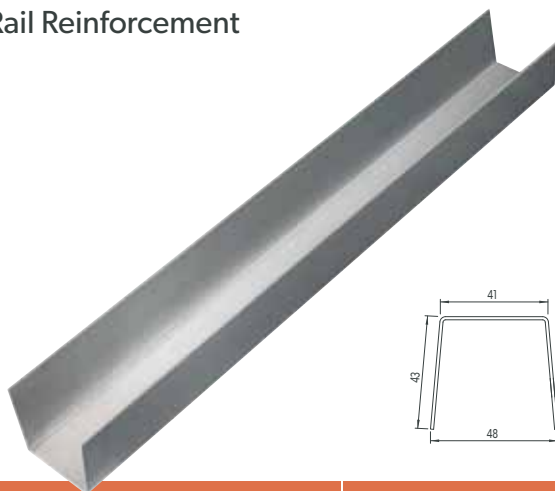
**Forest Green (FG)

Code Plain	Code Routed Square	Code Routed Diamond	Colour	Length (m)
DBRAIL1220W	DBRAILRS1220W	DBRAILRD1220W	White	1.220
DBRAIL1220AL	DBRAILRS1220AL	DBRAILRD1220AL	Almond	1.220
DBRAIL1220__	DBRAILRS1220__	DBRAILRD1220__	Foiled*	1.220
DBRAIL1828W	DBRAILRS1828W	DBRAILRD1828W	White	1.828
DBRAIL1828AL	DBRAILRS1828AL	DBRAILRD1828AL	Almond	1.828
DBRAIL1828__	DBRAILRS182__	DBRAILRD1828__	Foiled*	1.828
DBRAIL2438W	DBRAILRS2438W	DBRAILRD2438W	White	2.438
DBRAIL2438AL	DBRAILRS2438AL	DBRAILRD2438AL	Almond	2.438
DBRAIL2438__	DBRAILRS2438__	DBRAILRD2438__	Foiled*	2.438
DBRAIL4876W	–	–	White	4.876
DBRAIL4876AL	–	–	Almond	4.876
DBRAIL4876__	–	–	Foiled*	4.876
DBRAIL4876FG [†]	–	–	Foiled**	4.876

Bottom Rail Routed for 6" Picket/Facing Board

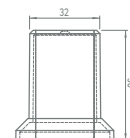
Code	Colour	Length (m)
DBRAIL6R4876W	White	4.876
DBRAIL6R4876AL	Almond	4.876
DBRAIL6R4876__	Foiled*	4.876

Rail Reinforcement



Code	Length (m)
DRBAR1828	1.828
DRBAR2438	2.438

Foot Block



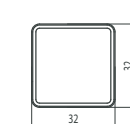
Code	Colour	Size
DFTBLKW	White	32mm x 50mm
DFTBLKAL	Almond	32mm x 50mm
DFTBLK_^	Solid Colour	32mm x 50mm

[†] Made to order

[^] Tan (T), Anthracite Grey (7016)

DEKBOARD HORIZON BALUSTRADE SYSTEM

1.25" Picket



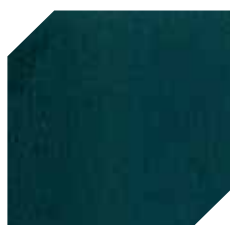
Foils



*Golden Oak (GO)



*Anthracite Grey (AG)

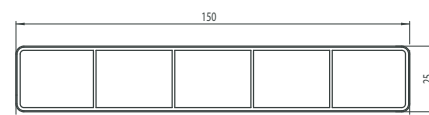


**Forest Green (FG)

Code	Colour	Length (m)
DPICK10760W	White	0.76
DPICK10760AL	Almond	0.76
DPICK10760__	Foiled*	0.76
DPICK10834W	White	0.834
DPICK10834AL	Almond	0.834
DPICK10834__	Foiled*	0.834
DPICK10834FG†	Foiled**	0.834
DPICK15100W	White	5.1
DPICK15100AL	Almond	5.1
DPICK15100__	Foiled*	5.1

6" Picket for Skirting

The Facing/Skirting Board is used for facing off the edge of the deck in order to hide the timber bearers. The boards can be secretly fixed from behind using 60mm woodscrew DWSCREW60 (p9) assuming that the timber substructure is at least 40mm deep. In addition it can be mounted vertically or horizontally under the deck to form a screen or skirt that hides the full deck substructure. Always leave gaps between boards for ventilation.



Code	Colour	Length (m)
DPICK64876W	White	4.876
DPICK64876AL	Almond	4.876
DPICK64876__	Foiled*	4.876
DPICK6PF4876__	Foiled*	4.876
DPICK6PF4876FG†	Foiled**	4.876

PF in the code denotes Part Foiled (three faces only).

† Made to order

Note –

- Fix the lower section of each bottom bracket in position first, ensuring that they are level. Pre-assemble the rails, reinforcing bar, and pickets (see p 10), set them into the bottom rail brackets and mark the position for the top rail brackets. Remove the rail assembly, fix the top rail brackets in place and reinstall the rail assembly. The top sections of each bracket simply clip into place. A screw must be fixed into the hole in the bottom of the bracket.
- Always check that the top brackets are fixed at the required balustrade height

Top rail and bottom rail brackets are needed to fix the rails to the posts. Brackets are available as fixed position units in straight format, in 30deg (up or down) format or in multi angle (horizontal or vertical) format.

Top Rail Bracket Straight



Bottom Rail Bracket Straight



Code	Colour	£ / Unit
DTOPBKTW	White	2.37
DTOPBKTAL	Almond	2.44
DTOPBKT_	Foiled*	8.22
DTOPBKTFG†	Foiled**	9.46

Code	Colour	£ / Unit
DBTMBKTW	White	2.37
DBTMBKTAL	Almond	2.44
DBTMBKT_	Foiled*	8.22
DBTMBKTFG†	Foiled**	9.46

Top Rail Stair Bracket Kit 30° 1 x up 1 x down



Bottom Rail Stair Bracket Kit 30° 1 x up 1 x down



Code	Colour
DTSTAIRW	White
DTSTAIRAL	Almond
DTSTAIR_	Foiled*
DTSTAIRFG†	Foiled**

Code	Colour
DBSTAIRW	White
DBSTAIRAL	Almond
DBSTAIR_	Foiled*
DBSTAIRFG†	Foiled**

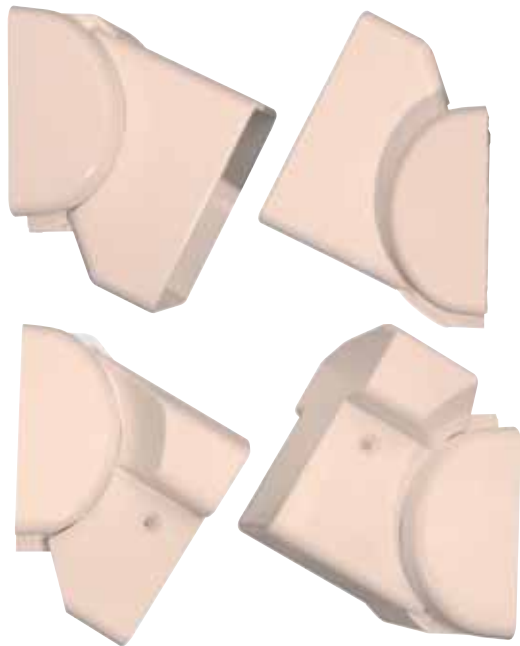
Universal Angle Top Rail & Bottom Rail Horizontal (Kit) x4 units



Code	Colour
DUAHW	White
DUAHAL	Almond



Universal Angle Top Rail & Bottom Rail Vertical (Kit) x 4 units



Code	Colour
DUAHV	White
DUAVAL	Almond



DEKBOARD GLASS

Toughened glass is up to five times stronger than regular glass. This is achieved by heating at high temperatures and cooling very quickly.

Toughened laminated glass has a plastic interlayer between 2 panes of glass holding them together. If one of the toughened glass panes does happen to break not only will there be no falling glass particles but the additional toughened glass pane and the interlayer will provide an extra barrier to prevent injury

Glass



Toughened Glass

Code	Colour	Thickness	Length (mm)	Height (mm)
DGL864G	Clear	10mm	864	850
DGL1169G	Clear	10mm	1169	850
DGL1474G	Clear	10mm	1474	850
DGL1779G	Clear	10mm	1779	850

Toughened Glass

Code	Colour	Thickness	Length (mm)	Height (mm)
DGL864K	Smoked	10mm	864	850
DGL1169K	Smoked	10mm	1169	850
DGL1474K	Smoked	10mm	1474	850
DGL1779K	Smoked	10mm	1779	850

Toughened Laminated Glass

Code	Colour	Thickness	Length (mm)	Height (mm)
DGL864L	Clear	13.52mm	864	850
DGL1169L	Clear	13.52mm	1169	850
DGL1474L	Clear	13.52mm	1474	850
DGL1779L	Clear	13.52mm	1779	850

Bracket Sets for Glass



Code	Colour	Glass Thickness	Brackets (Pack)
DGLC10	Stainless Steel	10mm	4
DGLC1352	Stainless Steel	13.52mm	4

GATES

We recommend that a gate is fitted to all raised deck platforms. With self-closing hinges and lockable latches these gates provide a safe enclosure for children and a deterrent to others.

The holes can be routed square with the rail or at 45° to the rail to form a diamond shape.



(Fittings not included)

Code	Colour	Pack Qty
DGATEW	White	1
DGATEAL	Almond	1
DGATE_ _	Foiled*	1

HINGES

Pair of self-closing hinges to ensure that the gate always returns to a closed position. Super strong engineering polymer and stainless steel construction.



Code	Colour	Pack Qty
DHINGE	Black	1 pair

LATCH

Single side secure, key-lockable latch. Adjusts horizontally and vertically to account for any gate movement.



Code	Colour	Pack Qty
DLATCH	Black	1 pair



ROBUST

- Strong construction
- Wear & impact resistant
- Will not warp like timber
- Low sound levels



SAFETY

- Low slip surface in wet or dry conditions
- Will not crack or splinter
- Will carry high loads
- No sharp edges or splinters



LOW MAINTENANCE

- Easily cleaned
- Unlike timber it won't promote mould growth
- Doesn't need treating, varnishing or painting



ENVIRONMENTAL

- 100% Recyclable
- No paints or preservatives required
- Manufactured under ISO14001 Environmental Management Certification.



LONG LIFE

- Will not rot
- Does not require maintenance
- 20 year performance guarantee
- Outlasts timber



PRODUCT TESTING

- Fire Resistance – Tested to BS 476: Part 7
- Slip Resistance – Tested to BS7976 -2
- Static Load Capability – Tested to BS6399 Pt1

Due to the limitations of the printing process the swatches and photography in this brochure should be taken as a guide and not an accurate representation of the actual product colour.

DEKBOARD[®]
decking and balustrade systems

Billet Lane, Normanby Enterprise Park, Normanby Road,
Scunthorpe, North Lincolnshire DN15 9YH

t: 01724 848500 e: sales@dekboard.co.uk

www.dekboard.co.uk